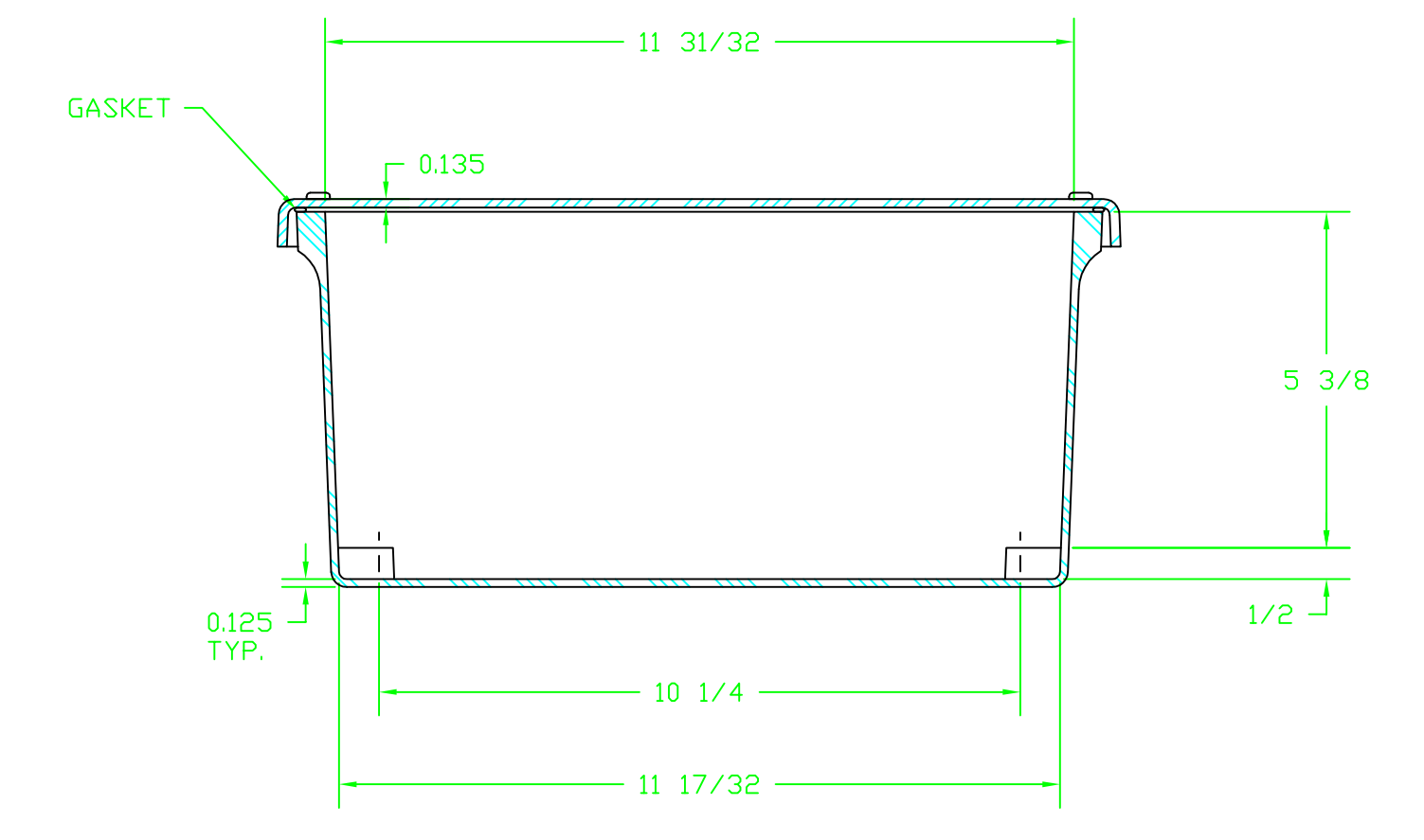
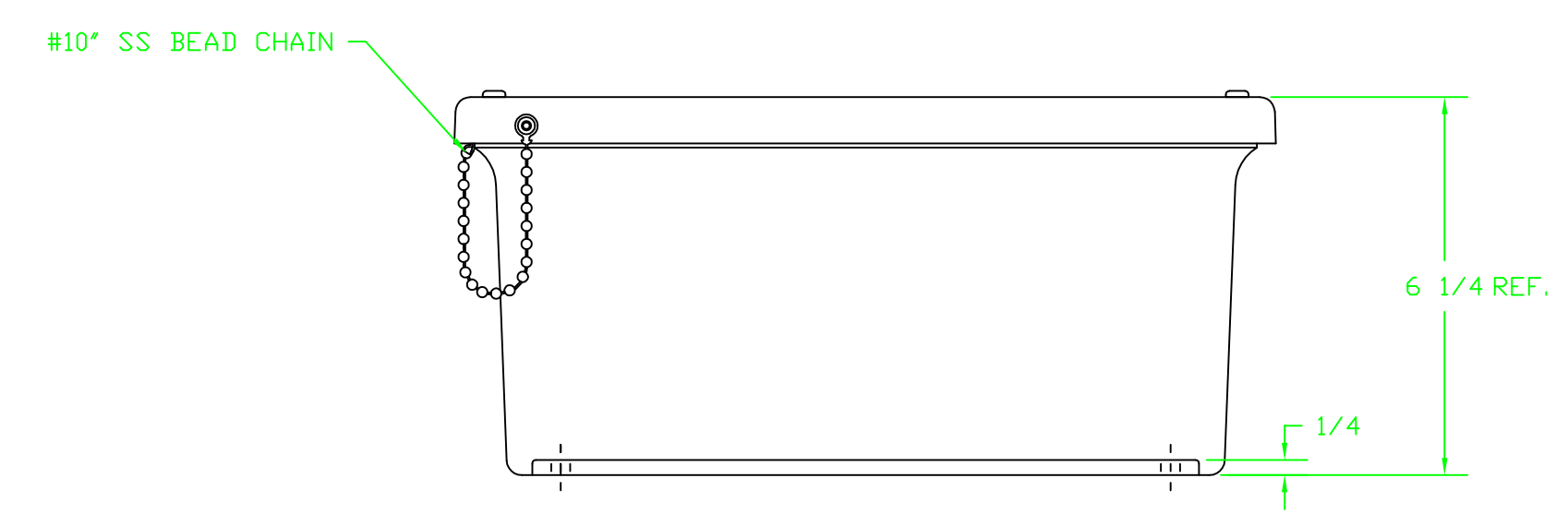



SECTION B-B



SECTION A-A

NOTES:

NEMA 4X		TOLERANCES UNLESS SPECIFIED		DECIMAL ± .010	FRACTIONAL ± 1/32
COLOR GLACIER GRAY RR1013		MATERIAL F.R. POLYESTER FIBERGLASS		DR. BY GF 4/18/91	
LET.	REVISION RECORD	DATE	BY	CHD.	CHK. BY DATE
SCALE DO NOT SCALE			PART NAME ENCLOSURE		PART NO. J1412W



**STAHLIN**  
ENCLOSURES  
DIVISION OF ROBROY INDUSTRIES

BELDING, MICHIGAN 48809

AutoCAD DWG FILE J1412W