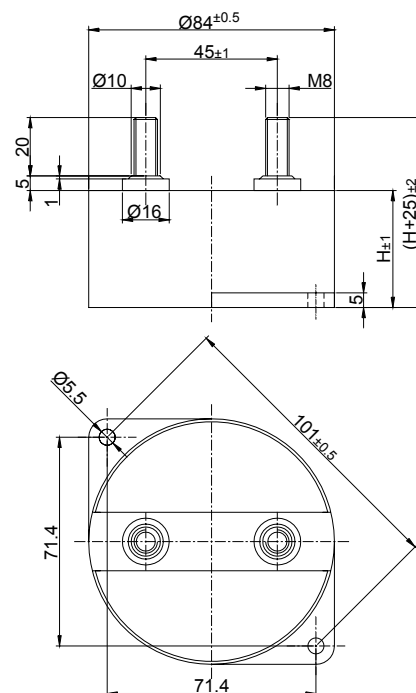


GENERAL TECHNICAL DATA

Reference Standards: IEC 61071 - EN 61071
 Dielectric: Metallized polypropylene film
 Winding: Non-inductive type
 Case: Self extinguishing plastic case UL94 V0
 Terminals: M6 or M8 threaded bolt; also available with threaded female connections
 Construction: dry construction, filled by solid resin
 IEC climatic category: 40/85/21 according to IEC 68-1
 Temperature range
 (Case): -40 to +85 °C
 Temperature storage: -40 to +105°C



TEST METHODS AND PERFORMANCES

Test voltage terminal to terminal (U_{TT})	1.5*Un for 10 s at 25°C
Test voltage terminal to case (U_{TC})	3 KV 50Hz for 2 sec.
Capacitance deviation in temperature range (-25..+85°C)	± 1,5% max on capacitance value at 20°C
Installation	Whatever position

ELECTRICAL CHARACTERISTICS

Capacitance	47 to 380 μ F
Tolerance	± 10 %
Rated Voltage	400 to 1000 Vdc
dv/dt	15 to 37 V/ μ s
Repetitive Peak Current	1739 to 5700 Ap
ESR	0.5 to 1.3 m Ω (at repetition frequency 10KHz)
ESL	25 to 40 nH
Derated Voltage and Lifetime expectancy:	1.2 x Vr @ 85°C ► 1.000 hours 1 x Vr @ 85°C ► 10.000 hours 0.9 x Vr @ 85°C ► 100.000 hours
Derated Temperature and Lifetime expectancy	For working temperature between +85°C and +70°C an increasing factor of 0.67 on the rated Lifetime has to be applied.
Diameter / Packing Unit	84mm / 12pcs

Code	Vdc V	C μ F	H mm	ESL nH	ESR @ 10 kHz m Ω	DV/dt V/us	I_{PKR} A	I _{rms} @ 10 kHz Ambient Temperature				Weight gr
								25°C	45°C	65°C	85°C	
C4DEFPQ6175A8TK	400	175	40	25	0.50	25	4375	100	100	80	46	283
C4DEFPQ6260A8TK	400	260	51	32	0.62	20	5200	100	100	77	45	349
C4DEFPQ6380A8TK	400	380	64	40	0.81	15	5700	100	94	73	42	419
C4DEHPQ6100A8TK	600	100	40	25	0.60	30	3000	100	93	72	42	286
C4DEHPQ6150A8TK	600	150	51	32	0.75	25	3750	100	90	70	40	353
C4DEHPQ6220A8TK	600	220	64	40	1.00	20	4400	100	85	65	38	424
C4DEIPQ5680A8TK	800	68	40	25	0.70	35	2380	100	87	68	40	284
C4DEIPQ6100A8TK	800	100	51	32	0.90	30	3000	100	84	65	37	350
C4DEIPQ6140A8TK	800	140	64	40	1.20	25	3500	91	77	60	35	425
C4DENPQ5470A8TK	1000	47	40	25	0.80	37	1739	96	81	63	36	282
C4DENPQ5680A8TK	1000	68	51	32	1.10	32	2176	92	77	60	35	352
C4DENPQ6100A8TK	1000	100	64	40	1.30	27	2700	86	72	56	32	422