

RC-280RA/SA



Carbon-brush motors

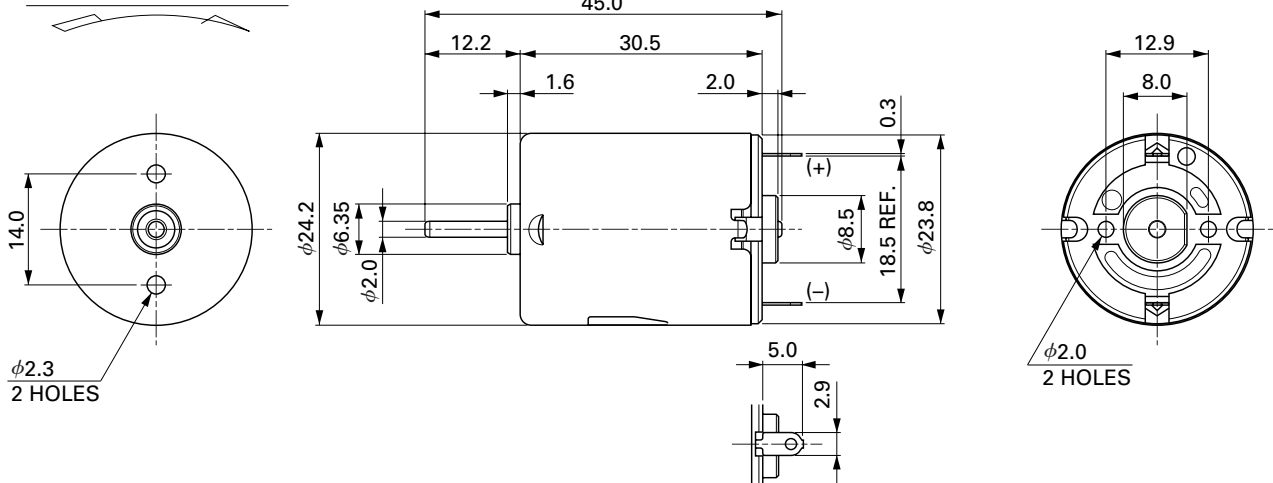
OUTPUT : 0.5W~24W (APPROX)

WEIGHT : 42g (APPROX)

Typical Applications Home Appliances : Hair Clipper / Massager / Vibrator
Toys and Models : Radio Control Model

| MODEL | VOLTAGE | | NO LOAD | | AT MAXIMUM EFFICIENCY | | | | STALL | | | |
|----------------|-----------------|---------------|----------------|--------------|-----------------------|--------------|----------------|----------------|-------------|----------------|----------------|--------------|
| | OPERATING RANGE | NOMINAL | SPEED r/min | CURRENT A | SPEED r/min | CURRENT A | TORQUE mN-m | TORQUE g-cm | OUTPUT W | TORQUE mN-m | TORQUE g-cm | CURRENT A |
| RC-280RA-2865 | 4.5~6.0 | 4.5V CONSTANT | 13600 | 0.27 | 11350 | 1.36 | 2.92 | 29.8 | 3.47 | 17.7 | 180 | 6.90 |
| RC-280RA-20120 | 4.5~9.0 | 6V CONSTANT | 9900 | 0.12 | 8210 | 0.58 | 2.26 | 23.0 | 1.94 | 13.2 | 135 | 2.82 |
| RC-280RA-2485 | 4.5~8.4 | 7.2V CONSTANT | 16800 | 0.21 | 14260 | 1.18 | 3.27 | 33.3 | 4.87 | 21.6 | 220 | 6.60 |
| RC-280SA-2865 | 4.5~9.0 | 6V CONSTANT | 14000 | 0.28 | 11910 | 1.60 | 4.46 | 45.5 | 5.56 | 29.9 | 305 | 9.10 |
| RC-280SA-20120 | 4.5~12.0 | 12V CONSTANT | 15500 | 0.15 | 13320 | 0.92 | 4.68 | 47.7 | 6.52 | 33.3 | 339 | 5.60 |
| RC-280SA-2485 | 4.5~9.6 | 6V CONSTANT | 10800 | 0.18 | 9130 | 0.99 | 3.71 | 37.8 | 3.54 | 24.0 | 245 | 5.40 |

DIRECTION OF ROTATION



UNIT: MILLIMETERS

RC-280RA-2865

4.5V

RC-280SA-2865

6.0V

