



## CX-230 Specifications

**Impedance: 50 Ohms**

### VOLTAGE

<b>Pull in:</b>	<b>9.0Vdc-16.5Vdc(12Vdc Nominal)</b>
<b>Drop out:</b>	<b>1.5Vdc Min.</b>
<b>Current:</b>	<b>160mA @12Vdc, 20°C</b>
<b>Coil Resistance</b>	<b>75 Ohms, 10%, 20°C</b>

### SWITCHING TIME

<b>Pull in:</b>	<b>20ms typical</b>
<b>Drop out:</b>	<b>15ms typical</b>
<b>Life Expectancy:</b>	<b>1,000,000 Operation Min.</b>

### MECHANICAL

<b>Contact Arrangement:</b>	<b>SPDT</b>
<b>Operational Temperature:</b>	<b>-50°C to 70 °C</b>
<b>Weighting:</b>	<b>Approx. 230gs.</b>
<b>Mounting:</b>	<b>Two Screws</b>
<b>Cable Connections:</b>	<b>3 BNC Type Female Connectors</b>

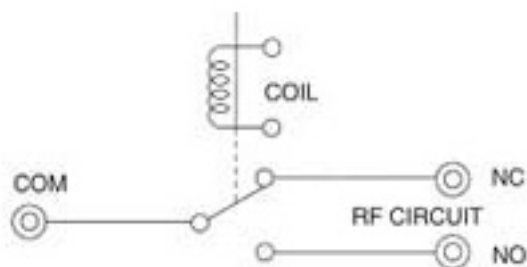
### COIL CHARACTERISTICS

<b>Nominal Voltage:</b>	<b>12Vdc/24Vdc</b>
<b>Voltage Range:</b>	<b>9Vdc-16Vdc / 18Vdc-26.5Vdc</b>
<b>Coil Resistance Ohms:</b>	<b>75/300</b>
<b>Mounting:</b>	<b>-</b>

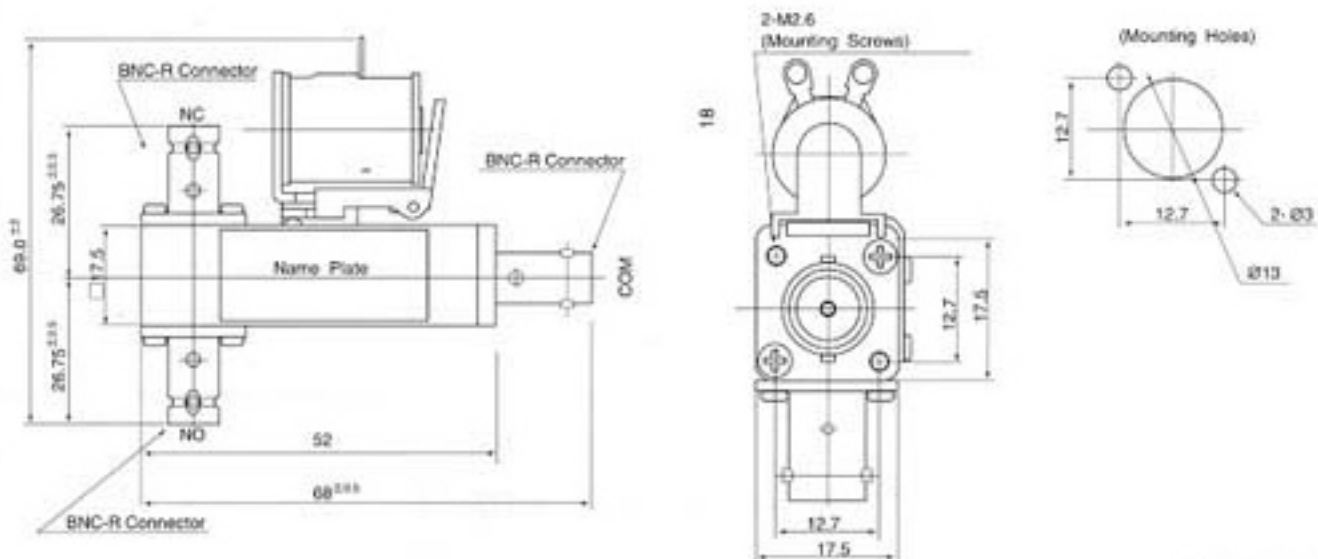
### ELECTRICAL CHARACTERISTICS

Frequency (MHz)	VSWR (Max)	Isolation -dB[min]	Ins. Loss -dB [max]	Input (W)
50	1.05	56	0.05	300
150	1.1	42	0.05	300
500	1.15	30	0.1	300
1000	1.3	24	0.2	200

### SCHEMATIC



# DIMENSIONS



SCALE m/m

# TYPICAL OPERATING CURVES

