



## CX-600NC Specifications

Impedance: 50 Ohms

### VOLTAGE

Pull in:	9.0Vdc-16.5Vdc(12Vdc Nominal)
Drop out:	1.5Vdc Min.
Current:	160mA @ 12Vdc, 20°C
Coil Resistance	75 Ohms, 10%, 20°C

### SWITCHING TIME

Pull in:	20ms typical
Drop out:	15ms typical
Life Expectancy:	1,000,000 Operation Min.

### MECHANICAL

Contact Arrangement:	SPDT
Operational Temperature:	-50°C to 70°C
Weighting:	Approx. 230gs.
Mounting:	Two Screws
Cable Connections:	1 N Type Female Connector, Directly connect cable

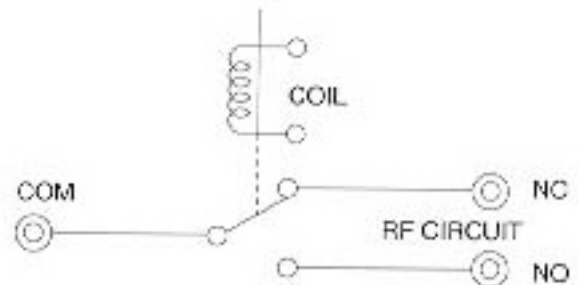
### COIL CHARACTERISTICS

Nominal Voltage:	12Vdc/24Vdc
Voltage Range:	9Vdc-16.5Vdc / 18Vdc-26.5Vdc
Coil Resistance	75/300
Ohms:	
Mounting:	-

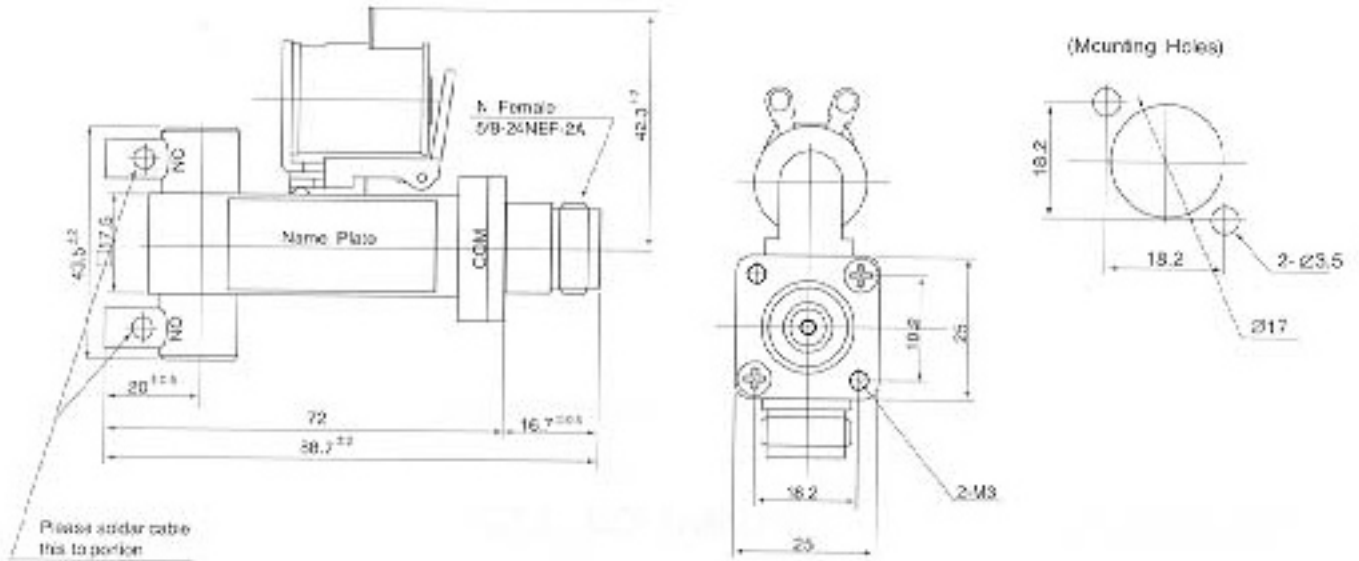
### ELECTRICAL CHARACTERISTICS

Frequency (MHz)	VSWR (Max)	Isolation -dB[min]	Ins. Loss -dB [max]	Input (W)
50	1.03	60	0.07	1.0KW
150	1.1	48	0.1	1.0KW
500	1.15	37	0.15	0.8KW
1000	1.2	28	0.2	0.5KW
1500	1.2	26	0.2	0.35KW
2000	1.25	23	0.23	0.1KW

### SCHEMATIC



## DIMENSIONS



SCALE m/m

## TYPICAL OPERATING CURVES

