



CX-600NL Specifications

Impedance: 50 Ohms

VOLTAGE

Pull in:	9.0Vdc-16.6Vdc(12Vdc Nominal)
Drop out:	1.5Vdc Min.
Current:	160mA @ 12Vdc, 20°C
Coil Resistance	75 Ohms, 10%, 20°C

SWITCHING TIME

Pull in:	20ms typical
Drop out:	15ms typical
Life Expectancy:	1,000,000 Operation Min.

MECHANICAL

Contact Arrangement:	SPDT
Switching Operation	Failsafe
Operational Temperature:	-50°C to 70 °C
Weighting:	Approx. 240gs.
Mounting:	Two Screws
Cable Connections:	3 N Type Female Connectors

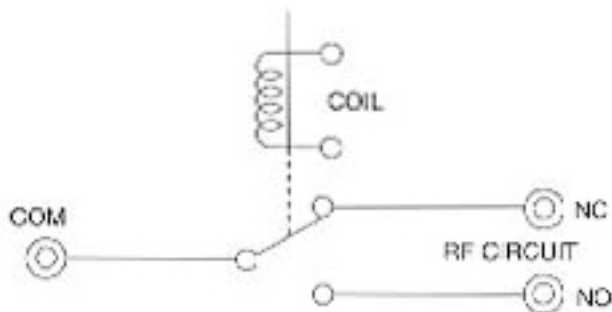
COIL CHARACTERISTICS

Nominal Voltage:	12Vdc/24Vdc
Voltage Range:	9Vdc-16.5Vdc / 18Vdc-26.5Vdc
Coil Resistance Ohms:	75/300
Mounting:	-

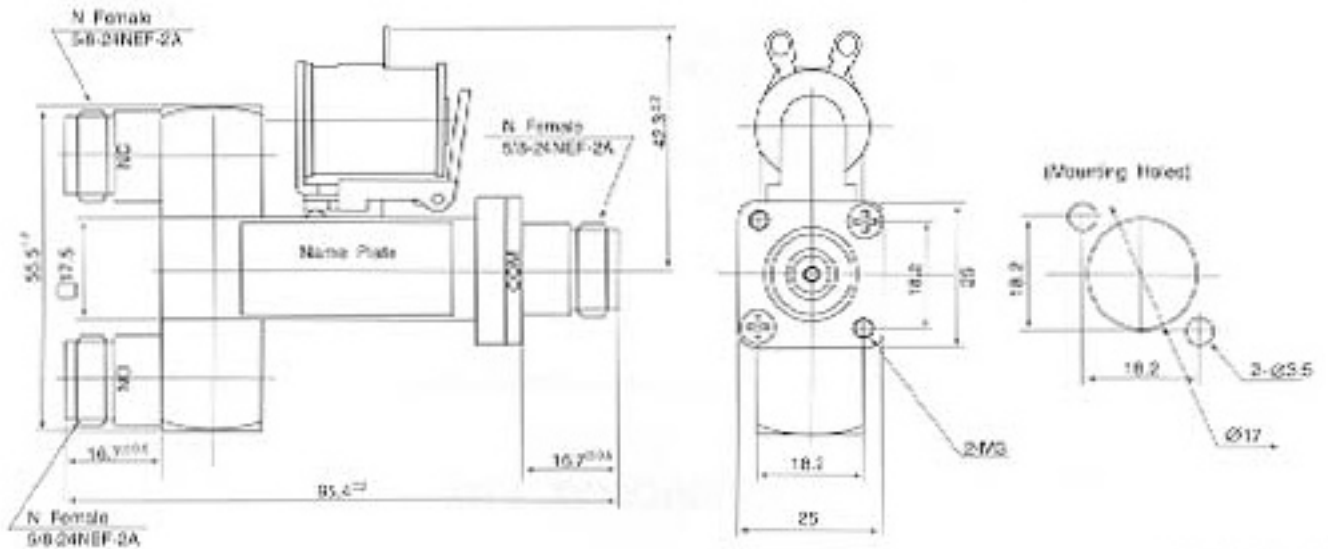
ELECTRICAL CHARACTERISTICS

Frequency (MHz)	VSWR (Max)	Isolation -dB[min]	Ins. Loss -dB [max]	Input (W)
50	1.03	60	0.07	2.0KW
150	1.1	48	0.9	1.8KW
500	1.15	35	0.1	1.9KW
1000	1.2	28	0.15	1.0KW

SCHEMATIC



DIMENSIONS



TYPICAL OPERATING CURVES

