

RF Power Dividers
800 to 2200 MHz

For outdoor and indoor applications.

Kathrein Scala Division RF power dividers are designed for use in a number of professional applications including multi-element antenna arrays and radiating cable systems and other cases where efficient broadband power splitting is required. These dividers feature low insertion loss and excellent impedance match. Careful and conservative mechanical designs assure a long service life with high reliability and stability in even the most difficult environmental conditions.

A number of options are available to facilitate system design, such as high power input ratings, alternate connector choices, built-in impedance transformation and special mounting arrangements. You are welcome to contact Kathrein Scala Division sales engineering for information and assistance, and to inquire about uneven splits.

Kathrein Scala Division has provided several thousand of these rugged and reliable RF power dividers for communications and broadcasting systems over the past 40 years and we welcome the opportunity to help you find the best and most cost-effective solutions for your system requirements.



737 307

737 308

Specifications:

Frequency range	800–2200 MHz	800–2200 MHz	790–960 MHz
Impedance	50 ohms	50 ohms	50 ohms
Insertion loss	<0.05 dB	<0.05 dB	<0.05 dB
Split	737 303 50%/50% 737 305 33.3%/33.3%/33.3% 737 307 25%/25%/25%/25%	737 304 50%/50% 737 306 33.3%/33.3%/33.3% 737 308 25%/25%/25%/25%	K6320627 50%/50%
VSWR	<1.15:1	<1.15:1	<1.1:1
Maximum input power	200 watts (at 50°C)	700 watts (at 50°C)	1000 watt (at 50°C)
Connector	N female	7-16 DIN female	7-16 DIN female
Intermodulation (2x20w)	IM3: <-150 dBc	IM3: <-150 dBc	IM3: <-150 dBc
Weight	3.3 lb (1.5 kg)	3.3 lb (1.5 kg)	3.3 lb (1.3 kg)
Dimensions (maximum)	11.6 x 3.2 x 3.2 inches (294 x 82 x 82 mm)	11.6 x 3.2 x 3.2 inches (294 x 82 x 82 mm)	11.6 x 3.2 x 3.2 inches (210 x 80 x 80 mm)
Shipping dimensions	12.2 x 4.2 x 3.7 inches (310 x 107 x 93 mm)	12.2 x 4.2 x 3.7 inches (310 x 107 x 93 mm)	12.2 x 4.2 x 3.7 inches (240 x 107 x 93 mm)
Shipping weight	5.1 lb (2.3 kg)	5.1 lb (2.3 kg)	5.1 lb (2.1 kg)
Mounting	A mounting clamp for 2 to 5.7 inch (50 to 145 mm) OD masts is available.		

See reverse for order information

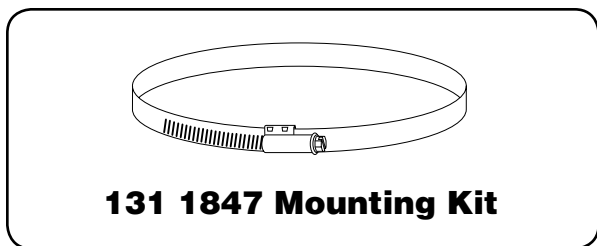


10807-B
936.1059/e



RF Power Dividers
800 to 2200 MHz

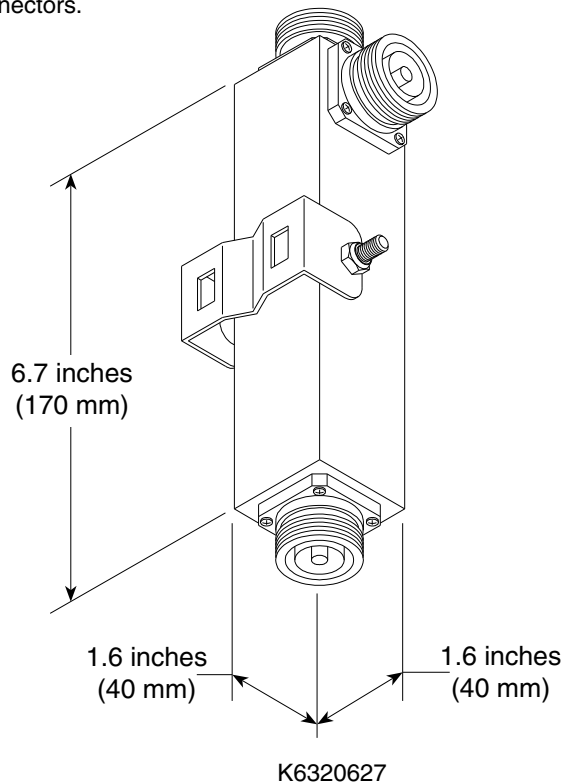
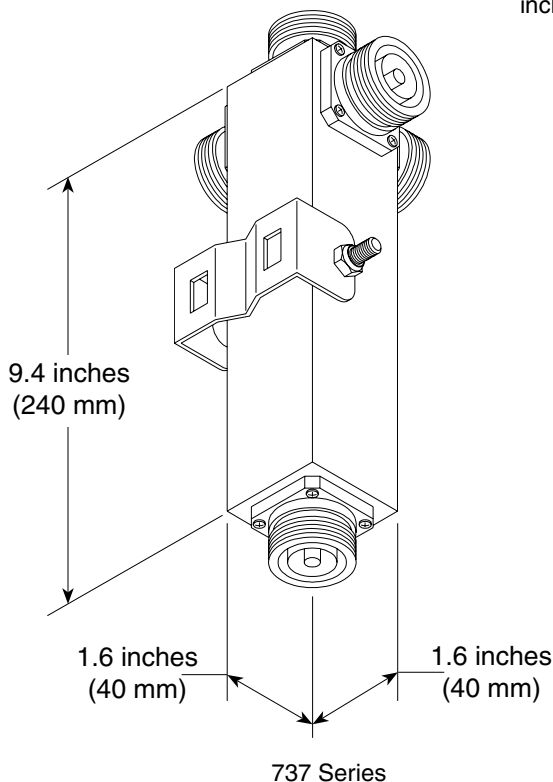
For outdoor and indoor applications.



Mounting Options:

Model	Description
131 1847	Mounting Kit for 2 to 5.7 inch (50 to 145 mm) OD mast.

Note: Dimensions shown do not include connectors.



Order Information:

Model	Description
737 303	2-way RF power divider, 200 watts, N female
737 305	3-way RF power divider, 200 watts, N female
737 307	4-way RF power divider, 200 watts, N female
737 304	2-way RF power divider, 700 watts, 7-16 DIN female
737 306	3-way RF power divider, 700 watts, 7-16 DIN female
737 308	4-way RF power divider, 700 watts, 7-16 DIN female
K6320627	2-way RF power divider, 1000 watts, 7-16 DIN female

All specifications are subject to change without notice. The latest specifications are available at www.kathrein-scala.com.