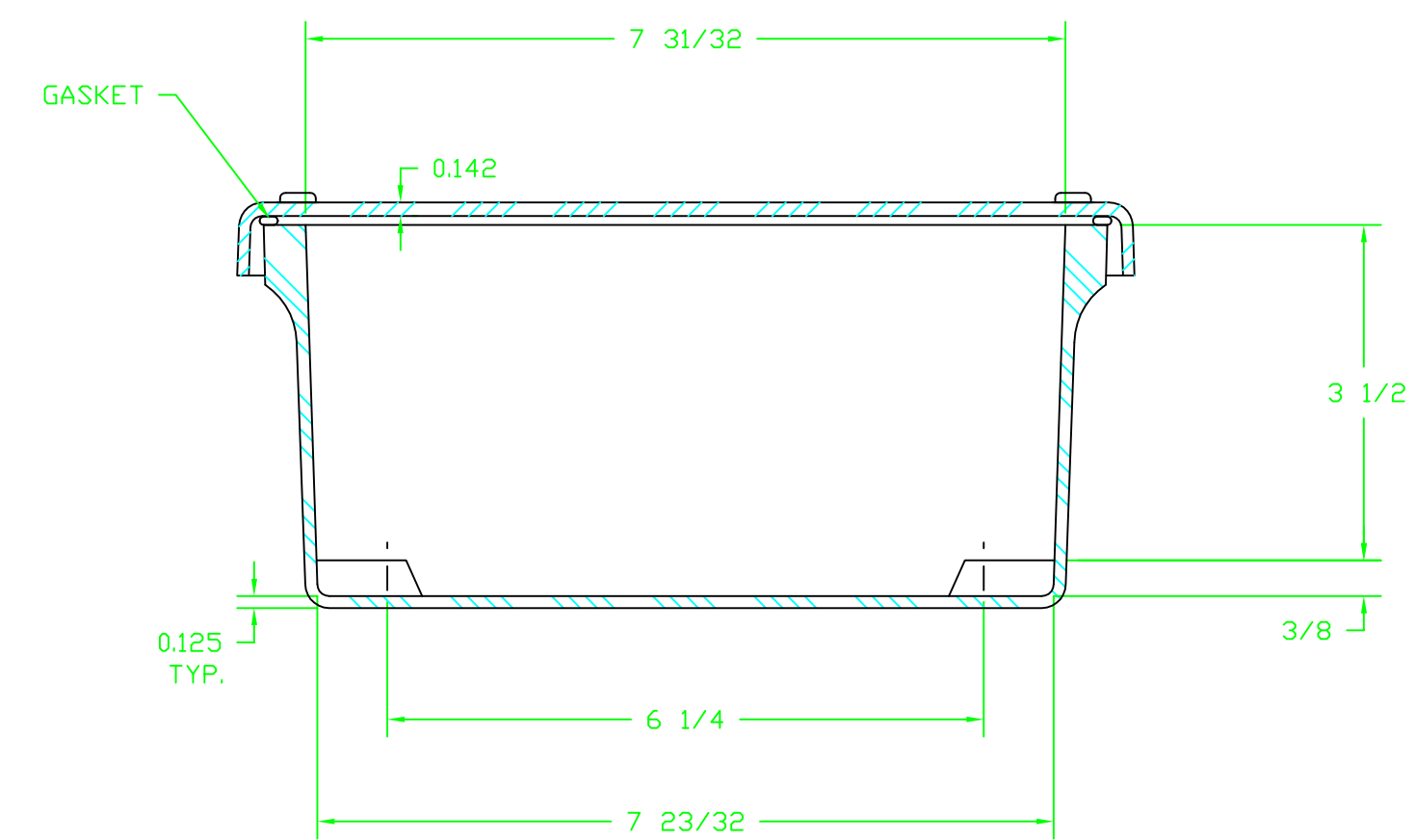
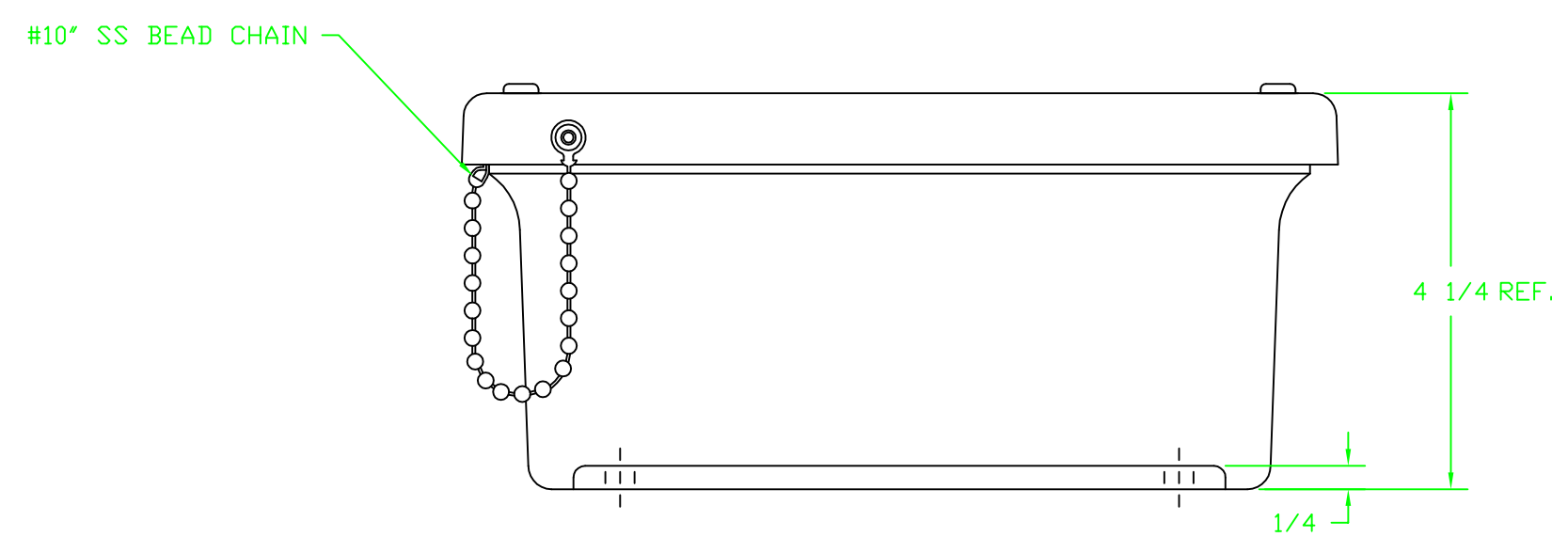



SECTION B-B



SECTION A-A

NOTES:

NEMA 4X		TOLERANCES UNLESS SPECIFIED		DECIMAL $\pm .010$	FRACTIONAL $\pm \frac{1}{32}$
MATERIAL: COLOR GLACIER GRAY RR1013					
DR. BY SH		DATE		 <b>STAHLIN ENCLOSURES</b> DIVISION OF ROBROY INDUSTRIES BELDING, MICHIGAN 48809	
F.R. POLYESTER FIBERGLASS		2/27/91			
LET.	REVISION RECORD	DATE	BY	CHD.	CHK. BY
					DATE
					APD. BY
					DATE
SCALE DO NOT SCALE			PART NAME ENCLOSURE		PART NO. J1008W

AutoCAD DWG FILE J1008W