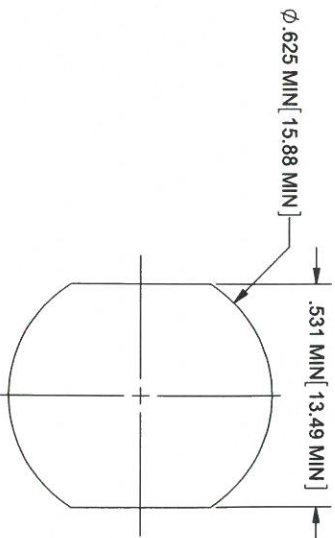
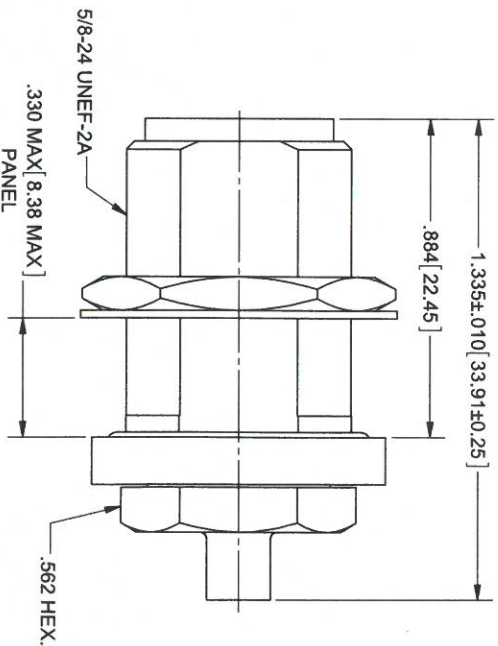
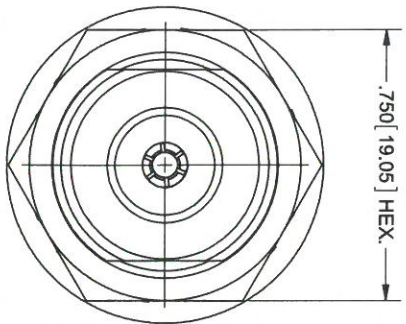


PRODUCT DATA DRAWING

REVISION HISTORY		
REV	DESCRIPTION	DATE
B	DCN 41717	09/15



RECOMMENDED MOUNTING HOLE

- MATERIAL:**
 BODY, HEX NUT & CLAMP NUT: STAINLESS STEEL PER AMS-5640, ALLOY UNS S30300, TYPE 1
 CONTACT: BERYLLIUM COPPER PER ASTM B196, ALLOY No. UNS C17300, TD04
 INSULATOR: PTFE PER ASTM D1710, TYPE I, GRADE 1, CLASS B
 LOCK WASHER: 300 SERIES STAINLESS STEEL
 O-RINGS: SILICONE RUBBER PER A-A-59588, CLASS 2B, GRADE 60 OR 70
FINISH:
 BODY, LOCK WASHER, & HEX NUT: PASSIVATED PER AMS-2700
 CLAMP NUT & CONTACT: GOLD PER ASTM B488, TYPE II, CODE C, CLASS, 76, OVER NICKEL PER AMS-QQ-N-290, CLASS 1
- PERFORMANCE:**
 IMPEDANCE: 50 OHMS
 FREQ. RANGE: DC TO 12.4 GHZ
 VSWR: 1.25:1 DC TO 12.4 GHZ
 INSERTION LOSS: .05 X SQRT(F IN GHZ))
 DWV: 1000 VRMS

MATERIAL:	SEE NOTES	DIMENSIONS ARE IN INCHES TOLERANCES:	UNLESS OTHERWISE SPECIFIED
FINISH:	SEE NOTES	FRACTIONAL: ±1/64 ANGLUAR: .X° ±17'	1) ALL DIMENSIONS ARE IN INCHES (MILLIMETERS)
SURFACE AREA:	N/A	DECIMAL: .X, 1.030	2) ALL DIMENSIONS ARE AFTER PLATING
		.XX, 1.010	3) DIM. 15 & 16 ARE TO CENTERLINE
		.XXX, 1.005	4) DIM. 17 & 18 ARE TO CENTERLINE
		PER ASME Y14.5M, 1995	5) DIM. 19 ON COMMON CENTERLINE TO BE CONCENTRIC
			7) REMOVE ALL BURRS
PROPERTY:	PROPRIETARY	THIRD ANGLE PROJECTION	
THE INFORMATION CONTAINED IN THIS DRAWING, ANY REPRODUCTION IN PART OR AS A WHOLE, WITHOUT THE WRITTEN PERMISSION OF SYMICROWAVE, INC IS PROHIBITED.			
DRAWN:	DAL 09/30/15	CHECKED:	BNK 09/30/15
APPROVED:	BNK 09/30/15	DATE:	09/15/15
		SCALE:	3:1
TITLE: PN FEMALE BULKHEAD FOR Ø.141 CABLE		SHEET 1 OF 1	



2400 Centreport West Drive, Suite 100
West Palm Beach, FL 33409

SF6545-6003