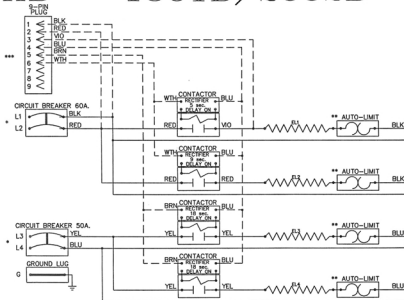


# WHB - 1501B/2002B



Model WHB-1501B/2002B  
 Serial # \_\_\_\_\_  
 Tag - \_\_\_\_\_  
 Kilowatts 14.40/19.20  
 Volts-Ph-Hz 208/240-1-60  
 Control Volts 24.0  
 Steps 2  
 Heater Amps 34.6-34.6/40.0-40.0  
 Circuit Breakers See C.B. above

**NOTE :**  
**CAUTION -** Contactors utilize 22VDC coils with AC to DC rectifiers. Do not use contactor without rectifier. Replace with factory authorized parts only.  
 -Contactor must always utilize AC-DC Rectifier with Time Delay as shown.  
 \* Power supply wiring per NEC & Local Codes. Suitable for at least 75° C. Use copper conductor wiring only.  
 \*\* Replace auto-reset with thermo disc type 60TX11-L165  
 \*\*\* 24VAC, Class 2 power source must not exceed 26.4VAC under any primary input voltage condition per UL/NEC.

Control Wiring \_\_\_\_\_  
 Power Wiring \_\_\_\_\_  
 Field Wiring \_\_\_\_\_

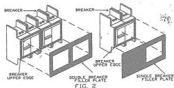
#HB2002B

Rev. by : Ravindra  
 Date : 10/15/04

**WARREN TECHNOLOGY**

#### FILLER PLATE INSTALLATION INSTRUCTION (see fig. 2):

- A. *Align breaker filler plate cut-out with the upper edge section of the breaker.*
- B. *Press the filler plate firmly around the upper edge of the breaker(s). Apply even pressure to all sides of the filler plate. Check that the filler plate is wrapped around the top edge of the breaker(s).*



### ELECTRICAL CONNECTIONS

1. All electrical connections, wire sizes and type and conduit sizes shall meet the National Electric Code, State and Local Codes. Main power supply, minimum wire sizes, circuits, fusing, etc. is shown on schematic wiring diagrams.  
**NOTE:** Use copper wire only.
2. Refer to base unit instructions for recommended wiring procedures.
3. Connect the heater plug to corresponding plug in the air handler.
4. Separate all wires from incoming power leads.
5. Be sure that all electrical terminal connections, clamps, screws, etc. are tight before proceeding. **Verify that there are no possible shorts to ground.**
6. Check wiring diagram supplied with heater for specific connections and information.
7. Check operation as described in start-up section.

### START-UP AND CHECK-OUT

**CAUTION:** Before proceeding, verify that all wiring is correct per factory approved schematic. Notify factory immediately of any discrepancies.

1. Refer to base unit installation instructions as required.
2. Check for loose terminal connections.
3. Check that all fuse and circuit breaker short circuit interrupting ratings are adequate.
4. Turn on unit and heater power.
5. Set thermostat to call for heat.
6. Check operation of heater.
7. Check that air flow across heater is at or above minimum recommended fan speed.
8. Any modification or repairs to this equipment without written permission from the factory will be done at the installer's own risk and expense.

### ELECTRIC HEATER PACKAGE CONTENTS

1. Heater assembly
2. Installation Instructions
3. Installer label
4. Wiring diagram
5. Mounting screws
6. Breaker cover plate (breaker units only)
- 7) Filler Plate (5.0 KW to 10 KW models only)

### UNIT SIZE v.s. MAXIMUM kW. CHART

UNIT SIZE	MAXIMUM kW MODEL
HB2400VA1M20	WHB1002(B)
HB2400VC1M20	
HB3000VA1M20	WHB1502B
HB3000VA1M20	
HB3000VC1M20	

**WARREN ELECTRIC**HEATER MODEL  
WHB SERIES**INSTALLATION  
INSTRUCTIONS**

Date: 07/14/06

**HAIER AMERICA**HB2400VA - HB6000VA;  
HB2400VC - HB6000VC;  
HB2400VD - HB6000VD  
**AIR HANDLERS****GENERAL**

This electric heater series is engineered, designed, and approved to be installed in HAIER (HB Series) air handlers. Before proceeding, check the heater label for correct voltage and KW requirements.

Installation and servicing of this equipment should only be performed by trained and qualified personnel. Before proceeding with the heater installation, inspect thoroughly for shipping damage. Notify the shipper immediately if any damage is found. Check all porcelain insulators for breakage and inspect heater element wire to see that none have been deformed. Clean all dirt, dust and moisture from equipment. Check for proper clearances of live parts, between phases, and to ground. Make sure that all required barriers are in place. Check conductors run in multiple to insure that they are properly wired. **Verify that all elements are properly secured in their ceramic holders.** Refer to installation instructions for complete unit installation details.

**WARNING**

Before performing service or maintenance operations on system, turn off all main power switches. There may be more than one disconnect. Turn off accessory heater power switch if applicable. Electrical shock can cause personal injury. **TAG DISCONNECT SWITCH(ES) WITH A SUITABLE WARNING LABEL.** When installed in a garage, heater elements should have a clearance of 18" from the floor, insure that the area is ventilated.

**HEATER INSTALLATION**

1. Refer to the base unit installation instructions as required. Affix Warren Installer label to the equipment access panel.
2. Remove blower section access panel of air handler.
3. Remove cover plate in front of blower assembly.
4. Slide heater assembly into blower section through the access opening (mounting position is important, check the label for correct position). Secure heater into place with screws provided. When installing heaters on HB2400VD size cabinets, use a metal filler plate (provided) to cover exposed cut out (see fig.1)
5. Remove the conduit knockout in unit cabinet for electrical connections. Install the appropriate size conduit connector.

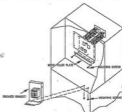


FIG. 1 HB2400 HEATER INSTALLATION

**HEATERS WITH CIRCUIT BREAKERS:**

**A BREAKER COVER PLATE IS INCLUDED WITH ALL HEATER UNITS OPENING. CIRCUIT BREAKERS MUST COVERED AND SEALED TIGHT TO AVOID ELECTRICAL SHOCK. PLEASE DO NOT DISCARD (SEE FIG. 2. FOR INSTALLATION INSTRUCTIONS)**

6. For units with SQD breakers install the breaker cover plate provided (see fig.2).
7. Verify the cabinet size to install the universal type circuit breaker bracket as mounting location varies:
  - i) On HB2400 units mount the circuit breaker bracket on the right side corner of the cabinet shelf. Insert the mounting screws through the blower deck from the blower side of the cabinet (see fig. 1).
  - ii) On HB3000 - HB6000 units mount the circuit breaker bracket on the left side corner of the cabinet shelf. Manually bend the bracket perforated flange 90 degrees down (see fig. 3 ). Secure bracket to cabinet shelf with [2] screws provided.
8. The breaker must be inserted with the "OFF" position down. When installing in the horizontal position the orientation of the breaker is not important.
9. Apply the wiring diagram to the cabinet for future reference.
10. Remove circuit breaker knockout(s) in unit access panel as required and cut insulation in opening.

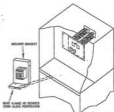


FIG. 3 HB3000 - HB6000 HEATER INSTALLATION