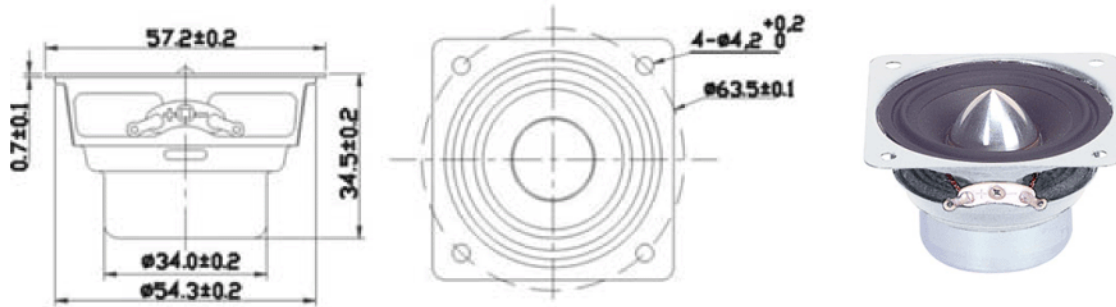


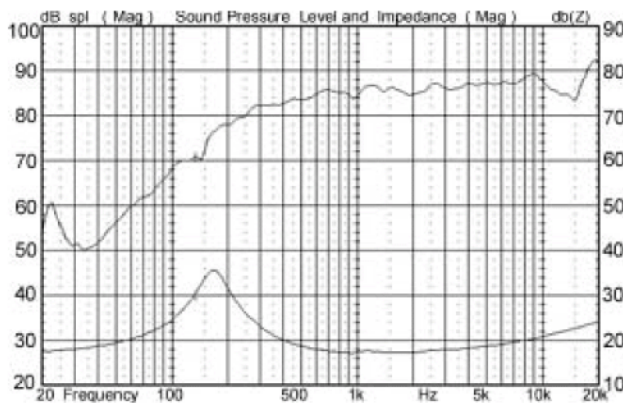
F SERIES

W2-880S



- FULL RANGE DESIGN
- STAMPED STEEL BASKET, MAGNETICALLY SHIELDED
- PP CONE WITH S SHAPE FABRIC SURROUND
- NEODYMIUM MAGNET DESIGN
- GOOD FOR CAR, HOME THEATER, MULTIMEDIA APPLICATION
- SPECIAL ALUM.PHASE PLUG TO PROVIDE WIDER DISPERSION

2" POLYCONE FULL RANGE



DIAPHRAGM MTL	PPM
SURROUND MTL	TPR
NOMINAL IMPEDANCE	8 Ω
DCR IMPEDANCE	6 Ω
SENSITIVITY 1W/1m	86 dB
FREQUENCY RESPONSE	165 - 20K Hz
FREE AIR RESONANCE	165 Hz
VOICE COIL DIAMETER	20 mm
AIR GAP HEIGHT	3 mm
RATED POWER INPUT	10 W
MAXIMUM POWER INPUT	20 W
FORCE FACTOR, BL	4 TM
MAGNET WEIGHT (oz)	Neodymium
MOVING MASS	1 g
FERRO FLUID ENHANCED	No
SUSPENSION COMPL.	936 MN ⁻¹
EFFEC. PISTON AREA	0.0013 m ²
X-max	1 mm
Vas	0.22 Litr
Qts	0.35
Qms	3.52
Qes	0.39



P.O. BOX 10-53 NEI HU, TAIPEI, TAIWAN
VOICE 886.2.26570282 FAX 886.2.26580166