

78 Series Manual Multithrow Switch

**DowKey®
Microwave**
CORPORATION



**DowKey® 78 Series
Manual Multithrow Switch**

Specifications :

Operating Temperature:
0°C to +65°C

Normal Weight:
10.0 oz., (283g.)

These DowKey manually operated switches are constructed with coaxial switching members rather than wafer switches. They are offered in SPDT, DPDT, SP3T, SP4T, and SP6T configurations, with the unused ports open (non-grounding). With RF power handling capabilities of 1 KW at 50 MHz and 60 dB isolation, the relay is ideal for use in low frequency, high power situations where signal integrity is a critical parameter and switching time of less importance.

Typical applications for the 78 Series include:

- Military/Commercial RF Communications
- Laboratory Test Equipment
- Video Viewing "Carrell" or Audition Room Source Selection
- Patch Panels

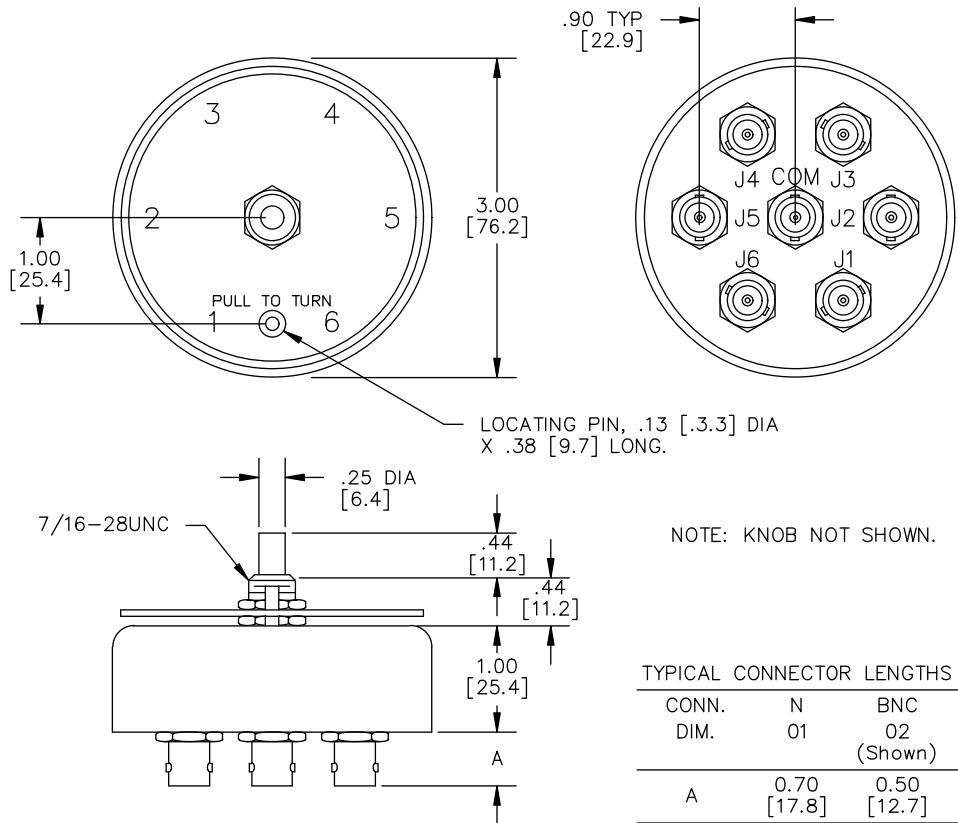
RF Characteristics

Frequency MHz	VSWR (max)	Isolation dB (min)	Ins. Loss dB (max)	RF Power Watts (CW)
50	1.10	60	0.03	1,000
100	1.15	55	0.05	1,000
225	1.25	45	0.10	600
450	1.45	40	0.15	450

Connectors and Part Numbers

Connector Type	SPDT	DPDT	SP3T	SP4T	SP6T
N	78-0201	78-0701	78-0301	78-0401	78-0601
BNC	78-0202	78-0702	78-0302	78-0402	78-0602
UHF	78-0204	78-0704	78-0304	78-0404	78-0604

Mechanical



Electrical

CONNECTOR LOCATIONS

SWITCH TYPE	CONNECTORS USED	ROTATIONAL STOPS
SPDT	J3, J4, C	YES
SP3T	J1, J3, J5, C	NO
SP4T	J1, J2, J3, J4, C	YES
SP6T	J1, J2, J3, J4, J5, J6, C	NO
DPDT	J1, J2, J3, J4, J5, J6	YES