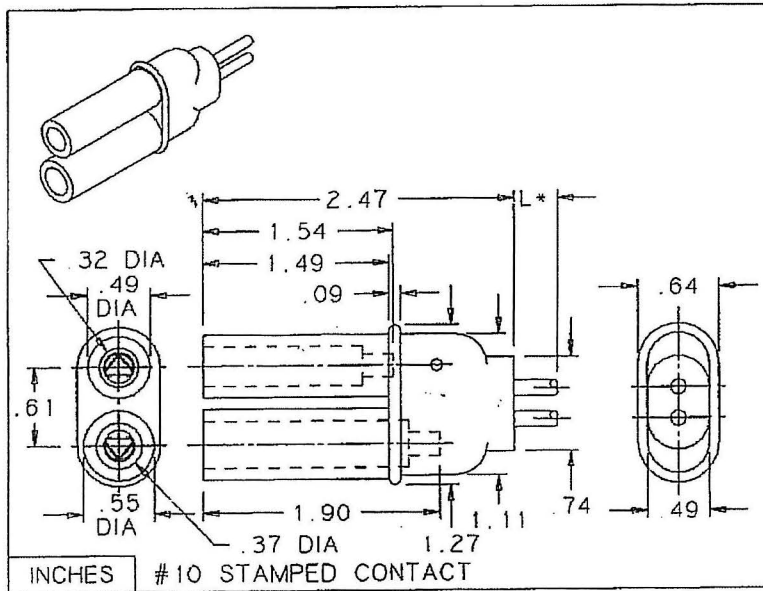


ALDEN

PRODUCTS COMPANY

PRODUCT DATA SHEET D100B

15000 VOLTS DC
DOUBLE CIRCUIT
POLARIZED CONNECTORMATERIAL: FRPPCOLOR: NATURALWIRE: B. 8024-22 RD., APW-034* SPECIFY LENGTH "L" IN INCHES
MATES WITH: D SERIESELECTRICAL

TESTED TO: 20KVDC

RATINGS LISTED APPLY TO CLEAN AND DRY MATED PAIRS IN STANDARD ATMOSPHERIC CONDITIONS. NO WARRANTY OF MERCHANTABILITY OR OF FITNESS FOR A PARTICULAR PURPOSE IS MADE AND ALL CUSTOMERS MUST TEST EACH COMPONENT TO DETERMINE THAT IT MEETS THEIR OPERATING REQUIREMENTS. RATINGS REFLECT UPPER OPERATING VOLTAGE LIMITS UNDER OPTIMUM ENVIRONMENTAL CONDITIONS IN NORMAL USE. CUSTOMERS MUST ADD THE SAFETY FACTORS REQUIRED FOR THEIR SPECIFIC APPLICATIONS OR DERATE THE CONNECTOR AS NECESSARY TO ACCOMMODATE ANY ADVERSE ENVIRONMENTAL OR OPERATIONAL CONDITIONS SPECIFIC TO THE END USE.